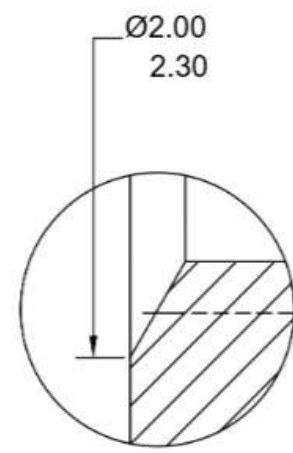
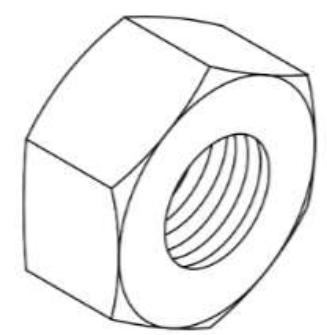


CHAMFER  
DETAILS



SECTION X



**FERROBEND**

DIN 934 HEX NUT

M2-0.40P

All Dimensions in mm